

B.RKT.08

Reduciri, kolena i
T komadi

 BeoINOXSalesPresenter



BeoINOX je preduzeće za proizvodnju, inženjering, servis, montažu, uvoz, izvoz, plasman i zastupništva opreme, uređaja i rezervnih delova za prehrambenu, farmaceutsku, hemijsku i mnoge druge industrije.

BeoINOX je specijalizovan u oblastima sistema i tehnologije korišćenih u industriji pića, hrane i farmaceutskoj industriji, zatim u oblasti sistema i tehnologije za korišćenje agresivnih fluida, tehnički i biznis „know how” u proizvodnji industrijske opreme i sistema, zatim u oblasti projektovanja, analize, procene i predloga rešenja, automatizaciji i puštanju sistema u rad kao i u obuci ljudstva.

Osnovano je 1989. godine i od tada se izgradilo bogato iskustvo u ovim oblastima.

U sklopu preduzeća nalaze se kao posebne poslovne jedinice ili timovi, proizvodni pogoni inženjering biro, grupa za montažu, servis i odeljenje za uvoz i izvoz, trgovinu, plasman robe i zastupništva.

Proizvodni program se sastoji iz serijske proizvodnje centrifugalnih pumpi, mehaničkih zaptivača, spojnice kao i pojedinačnih proizvoda opreme, sudova, rezervoara, pločastih izmenjivača toplote...

Svi naši proizvodi su atestirani i zadovoljavaju nacionalne i internacionalne standarde. BeoINOX je sertifikovan u poslovnom sistemu kvaliteta ISO 9002.

PROIZVODNI PROGRAM:

SERIJSKA PROIZVODNJA

• CENTRIFUGALNE PUMPE	- prehrambene nerđajuće - samousisne pumpe - mono pumpe - livene za vodu
• MEHANIČKE ZAPTIVKE	- grafitne - keramičke - tvrdi metal
• ARMATURA	- cevni elementi - spojnički elementi - kombinovani elementi - slavine i ventili - elementi za opremu
• SUDOVI	- prihvatni (izolovani, neizolovani) - skladišni (izolovani, neizolovani) - procesni (duplikatori, pufer sudovi) - transportni (autocisterne) - CIP
• PLOČASTI IZMENJIVAČI TOPLOTE	- hladionici - pasteri

POJEDINAČNA PROIZVODNJA

- Proizvodnja po potrebama i zahtevima investitora uz mogućnost pojedinačne proizvodnje proizvoda iz serijske proizvodnje
- Izrada kompletnih mini-pogona
- Tehnoloških linija

SERVIS

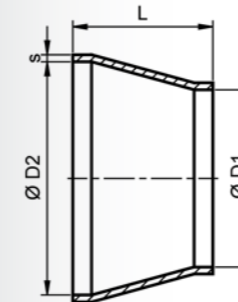
- Servis: uređaja, opreme, mašina, centrifugalnih pumpi, pločastih izmenjivača toplote

MONTAŽA

- Tehnoloških linija
- Energetskih linija
- Kompletnih pogona

Proizvodnja-inženjering, servis-montaža
Beograd – Krnjača 11210
Sutjeska ul. 1 br. 19/c
Tel./Fax. (+381 11) 3317789, 3317742, 3317746

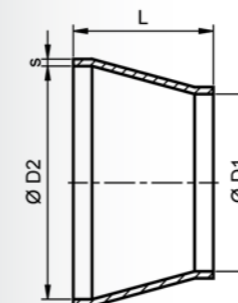
REDUCIRI - KONCENTRIČNI



DN	D ₁	D ₂	s	L	Art.No
20 / 15	15	19	1.5	7	0401020015019.20
25 / 15	15	25	1.5	18	0401025015025.20
25 / 20	19	25	1.5	11	0401025020025.20
32 / 15	15	31	1.5	28	0401032015031.20
32 / 20	19	31	1.5	22	0401032020031.20
32 / 25	25	31	1.5	11	0401032025031.20
40 / 20	19	37	1.5	33	0401040020037.20
40 / 25	25	37	1.5	22	0401040025037.20
40 / 32	31	37	1.5	11	0401040032037.20
50 / 25	25	49	1.5	44	0401050025049.20
50 / 32	31	49	1.5	33	0401050032049.20
50 / 40	37	49	1.5	22	0401050040049.20
65 / 32	31	66	2	62	0401065032066.20
65 / 40	37	66	2	51	0401065040066.20
65 / 50	49	66	2	29	0401065050066.20
80 / 40	37	81	2	78	0401080040081.20
80 / 50	49	81	2	56	0401080050081.20
80 / 65	66	81	2	27	0401080065081.20
100 / 50	49	100	2	90	0401100050100.20
100 / 65	66	100	2	61	0401100065100.20
100 / 80	81	100	2	34	0401100080100.20

0401

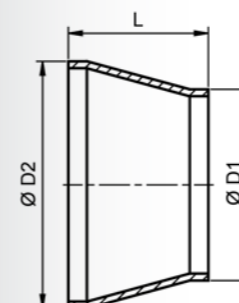
REDUCIRI - KONCENTRIČNI



SMS	D ₁	D ₂	s	L	Art.No.
38 / 25	22.5	35	1.5	22.5	0402038025035.20
51 / 25	22.5	48	1.5	22.5	0402051025048.20
51 / 38	35	48	1.5	35	0402051038048.20
63.5 / 25	22.5	60.5	1.5	22.5	0402063025060.20
63.5 / 38	35	60.5	1.5	35	0402063038060.20
63.5 / 51	48	60.5	1.5	48	0402063051060.20
76.1 / 38	35	72	2	35	0402076038072.20
76.1 / 51	48	72	2	48	0402076051072.20
76.1 / 63.5	60.5	72	2	60.5	0402076063072.20
101.6 / 51	48	97.6	2	48	0402101051097.20
101.6 / 63.5	60.5	97.6	2	60.5	0402101063097.20
101.6 / 76.1	72	97.6	2	72	0402101076097.20

0402

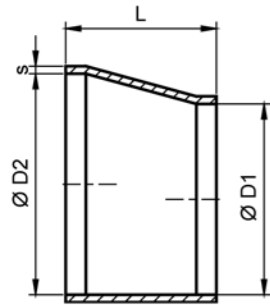
ISO REDUCIRI - KONCENTRIČNI



ISO	D ₁	D ₂	L	Art.No.
DN 15/20 1/2" / 3/4"	21.3	26.9	24	0403015020026.20
DN 20/25 3/4" / 1"	26.9	33.7	24	0403020025033.20
DN 25/32 1" / 5/4"	33.7	42.4	30	0403025020042.20
DN 32/40 5/4" / 6/4"	42.4	48.3	34	0403032040048.20
DN 40/50 6/4" / 2"	48.3	60.3	34	0403040032060.20
DN 50/65 2" / 2 1/2"	60.3	76.1	40	0403050040076.20
DN 65/80 2 1/2" / 3"	76.1	88.9	40	0403065050088.20

0403

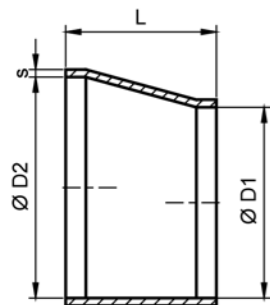
REDUCIRI - EKSCENTRIČNI



DN	D ₁	D ₂	s	L	Art.No.
20 / 15	15	19	1.5	11	0404020015019.20
25 / 15	15	25	1.5	27.5	0404025015025.20
25 / 20	19	25	1.5	16.5	0404025020025.20
32 / 15	15	31	1.5	44	0404032015031.20
32 / 20	19	31	1.5	33	0404032020031.20
32 / 25	25	31	1.5	16.5	0404032025031.20
40 / 20	19	37	1.5	60.5	0404040020037.20
40 / 25	25	37	1.5	49.5	0404040025037.20
40 / 32	31	37	1.5	33	0404040032037.20
50 / 25	25	49	1.5	16.5	0404050025049.20
50 / 32	31	49	1.5	66	0404050032049.20
50 / 40	37	49	1.5	49.5	0404050040049.20
65 / 32	31	66	2	33	0404065032066.20
65 / 40	37	66	2	77	0404065040066.20
65 / 50	49	66	2	44	0404065050066.20
80 / 40	37	81	2	118.2	0404080040081.20
80 / 50	49	81	2	85.2	0404080050081.20
80 / 65	66	81	2	41.2	0404080065081.20
100 / 50	49	100	2	137.5	0404100050100.20
100 / 65	66	100	2	93.5	0404100065100.20
100 / 80	81	100	2	52.5	0404100080100.20

0404

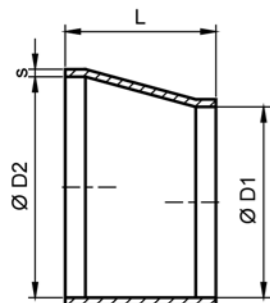
REDUCIRI - EKSCENTRIČNI



SMS	D ₁	D ₂	s	L	Art.No.
38 / 25	22.5	35	1.5	22.5	0405038025035.20
51 / 25	22.5	48	1.5	22.5	0405051025048.20
51 / 38	35	48	1.5	35	0405051038048.20
63.5 / 25	22.5	60.5	1.5	22.5	0405063025060.20
63.5 / 38	35	60.5	1.5	35	0405063038060.20
63.5 / 51	48	60.5	1.5	48	0405063051060.20
76.1 / 38	35	72	2	35	0405076038072.20
76.1 / 51	48	72	2	48	0405076051072.20
76.1 / 63.5	60.5	72	2	60.5	0405076063072.20
101.6 / 51	48	97.6	2	48	0405101051097.20
101.6 / 63.5	60.5	97.6	2	60.5	0405101063097.20
101.6 / 76.1	72	97.6	2	72	0405101076097.20

0405

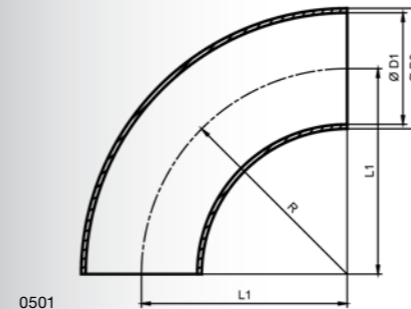
ISO REDUCIRI - EKSCENTRIČNI



ISO	D ₁	D ₂	L	Art.N.
DN 15/20 1/2" / 3/4"	21.3	26.9	24	0406015020026.20
DN 20/25 3/4" / 1"	26.9	33.7	24	0406020025033.20
DN 25/32 1" / 5/4"	33.7	42.4	30	0406025020042.20
DN 32/40 5/4" / 6/4"	42.4	48.3	34	0406032040048.20
DN 40/50 6/4" / 2"	48.3	60.3	34	0406040032060.20
DN 50/65 2" / 2 1/2"	60.3	76.1	40	0406050040076.20
DN 65/80 2 1/2" / 3"	76.1	88.9	40	0406065050088.20

0406

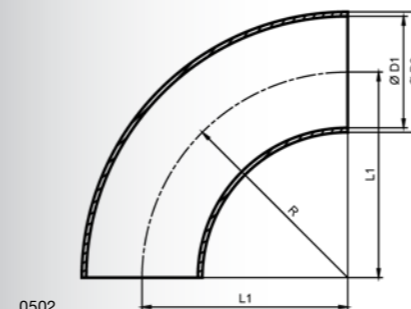
KOLENO S/S 90°



0501

DN	D ₁	D ₂	R	L1	Art.No.
25	25	28	50	50	0501025028025.20
32	31	34	55	55	0501032034031.20
40	37	40	60	60	0501040040037.20
50	49	52	70	70	0501050052049.20
65	66	70	80	80	0501065070066.20
80	81	85	90	90	0501080085081.20
100	100	104	100	100	0501100104100.20
125					
150					

KOLENO S/S 90°



0502

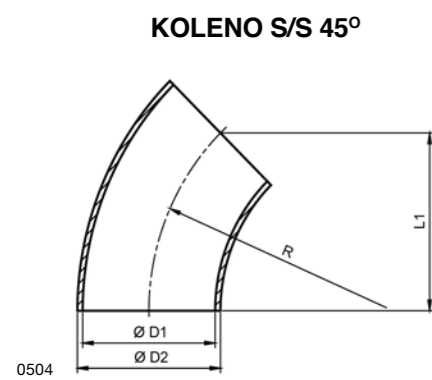
SMS	D ₁	D ₂	R	L1	Art.No.
25	22.5	25	27.5	27.5	0502025025022.20
38	35	38	45	45	0502038038035.20
51	48	51	67.5	67.5	0502051051048.20
63.5	60.5	63.5	82.5	82.5	0502063063060.20
76.1	72	76	95	95	0502076076072.20
101.6	97.6	101.6	133.5	133.5	0502101101097.20
114.3					
139.7					

KOLENO S/S 90°

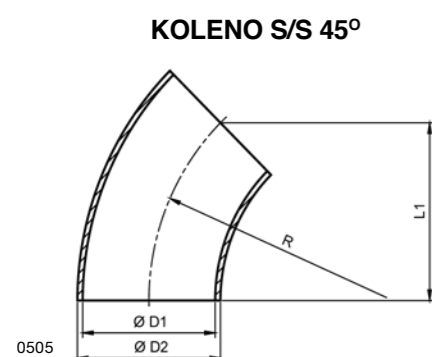


0503

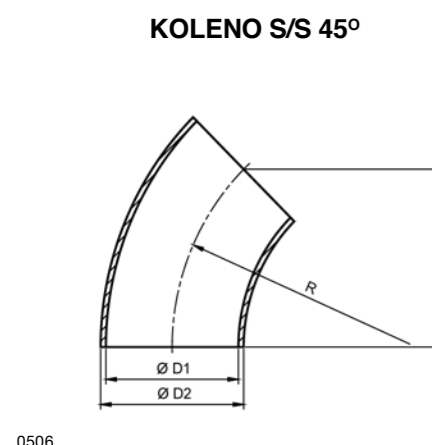
ISO	D ₁	D ₂	R	L1	Art.No.
DN 15 1/2"	19.3	21.3			0503015021019.20
DN 20 3/4"	24.9	26.9			0503020026024.20
DN 25 1"	31.7	33.7			0503025033031.20
DN 32 5/4"	40.4	42.4			0503032042040.20
DN 40 6/4"	46.3	48.3			0503040048046.20
DN 50 2"	58.3	60.3			0503050060058.20
DN 65 2 1/2"	74.1	76.1			0503065076074.20
DN 80 3"	86.9	88.9			0503080088086.20
DN 100 4"	112.3	114.3			0503100114112.20
DN 125 5"	137.7	139.7			0503125139137.20
DN 150 6"	166.3	168.3			0503150168166.20



DN	D ₁	D ₂	R	L1	Art.No.
25	25	28	50	34	0504025028025.20
32	31	34	55	37	0504032034031.20
40	37	40	60	41	0504040040037.20
50	49	52	70	48	0504050052049.20
65	66	70	80	55	0504065070066.20
80	81	85	90	62	0504080085081.20
100	100	104	100	69	0504100104100.20
125					
150					



SMS	D ₁	D ₂	R	L1	Art.No.
25	22.5	25	27.5	19.5	0505025025022.20
38	35	38	45	32	0505038038035.20
51	48	51	67.5	48	0505051051048.20
63.5	60.5	63.5	82.5	58.5	0505063063060.20
76.1	72	76	95	67	0505076076072.20
101.6	97.6	101.6	133.5	94.5	0505101101097.20
114.3					
139.7					

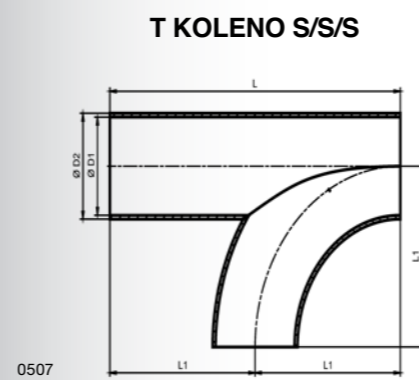


ISO	D ₁	D ₂	R	L1	Art.No.
DN 15 1/2"	19.3	21.3			0506015021019.20
DN 20 3/4"	24.9	26.9			0506020026024.20
DN 25 1"	31.7	33.7			0506025033031.20
DN 32 5/4"	40.4	42.4			0506032042040.20
DN 40 6/4"	46.3	48.3			0506040048046.20
DN 50 2"	58.3	60.3			0506050060058.20
DN 65 2 1/2"	74.1	76.1			0506065076074.20
DN 80 3"	86.9	88.9			0506080088086.20
DN 100 4"	112.3	114.3			0506100114112.20
DN 125 5"	137.7	139.7			0506125139137.20
DN 150 6"	166.3	168.3			0506150168166.20

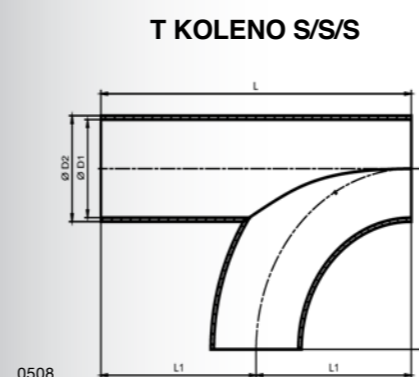
0504

0505

0506



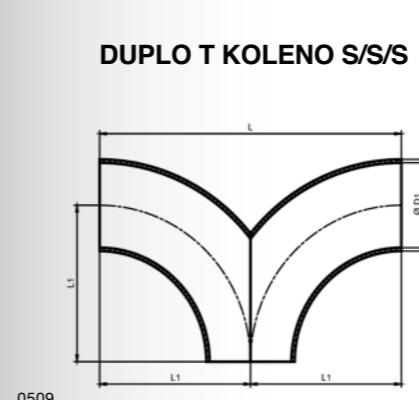
DN	D ₁	D ₂	L	L1	Art.No.
25	25	28	100	50	0507025028025.20
32	31	34	110	55	0507032034031.20
40	37	40	120	60	0507040040037.20
50	49	52	140	70	0507050052049.20
65	66	70	160	80	0507065070066.20
80	81	85	180	90	0507080085081.20
100	100	104	200	100	0507100104100.20
125					
150					



SMS	D ₁	D ₂	L	L1	Art.No.
25	22.5	25	110	55	0508025025022.20
38	35	38	140	70	0508038038035.20
51	48	51	164	82	0508051051048.20
63.5	60.5	63.5	210	105	0508063063060.20
76.1	72	76	220	110	0508076076072.20
101.6	97.6	101.6	324	162	0508101101097.20
114.3					
139.7					

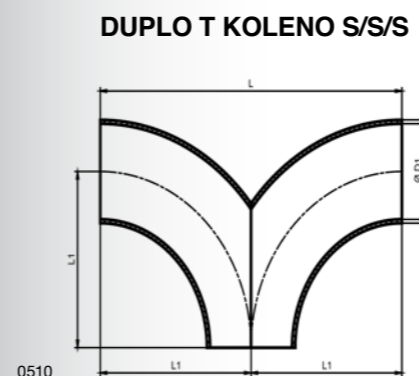
0507

0508



DN	D ₁	D ₂	L	L1	Art.No.
25	25	28	100	50	0509025028025.20
32	31	34	110	55	0509032034031.20
40	37	40	120	60	0509040040037.20
50	49	52	140	70	0509050052049.20
65	66	70	160	80	0509065070066.20
80	81	85	180	90	0509080085081.20
100	100	104	200	100	0509100104100.20
125					
150					

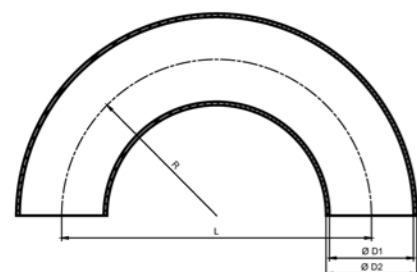
0509



SMS	D ₁	D ₂	L	L1	Art.No.
25	22.5	25	110	55	0510025025022.20
38	35	38	140	70	0510038038035.20
51	48	51	164	82	0510051051048.20
63.5	60.5	63.5	210	105	0510063063060.20
76.1	72	76	220	110	0510076076072.20
101.6	97.6	101.6	324	162	0510101101097.20
114.3					
139.7					

0510

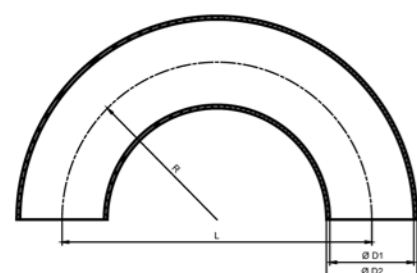
KOLENO S/S 180°



0511

DN	D ₁	D ₂	R	L	Art.No.
25	25	28	50	100	0511025028025.20
32	31	34	55	110	0511032034031.20
40	37	40	60	120	0511040040037.20
50	49	52	70	140	0511050052049.20
65	66	70	80	160	0511065070066.20
80	81	85	90	180	0511080085081.20
100	100	104	100	200	0511100104100.20
125					
150					

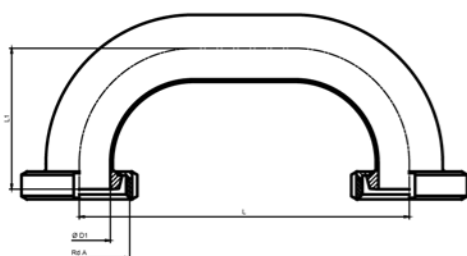
KOLENO S/S 180°



0512

SMS	D ₁	D ₂	R	L	Art.No.
25	22.5	25	30	60	0512025025022.20
38	35	38	45	90	0512038038035.20
51	48	51	55	110	0512051051048.20
63.5	60.5	63.5	70	140	0512063063060.20
76.1	72	76	80	160	0512076076072.20
101.6	97.6	101.6	110	220	0512101101097.20
114.3					
139.7					

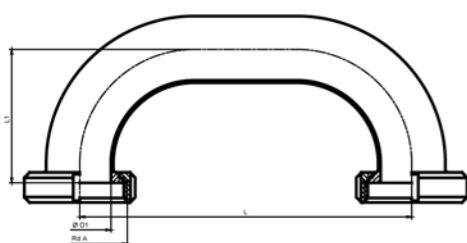
KOLENO KM / KM



0513

DN	D ₁	A	L	L ₁	Art.No.
25	25	52x1/6"	250	65	0513025052025.20
32	31	58x1/6"	300	70	0513032058031.20
40	37	65x1/6"	300	75	0513040065037.20
50	49	78x1/6"	400	86	0513050078049.20
65	66	95x1/6"	500	97	0513065095066.20
80	81	110x1/4"	600	107	0513080110081.20
100	100	130x1/4"	700	120	0513100130100.20
125					
150					

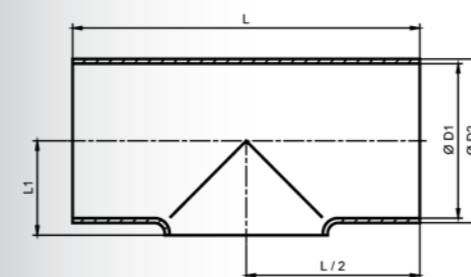
KOLENO KM / KM



0514

SMS	D ₁	A	L	L ₁	Art.No.
25	22.5	40x1/6"		55	0514025040022.20
38	35	60x1/6"		70	0514038060035.20
51	48	70x1/6"		82	0514051070048.20
63.5	60.5	85x1/6"		105	0514063085060.20
76.1	72	98x1/6"		110	0514076098072.20
101.6	97.6	132x1/6"		150	0514101132097.20
114.3					
139.7					

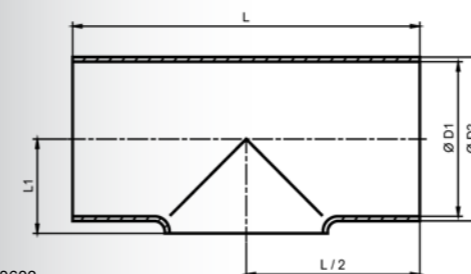
T KOMAD - KRATKI S/S/S



0601

DN	D ₁	D ₂	L	L ₁	Art.No.
25	25	28	100	15	0601025028025.20
32	31	34	110	18	0601032034031.20
40	37	40	120	22	0601040040037.20
50	49	52	140	29	0601050052049.20
65	66	70	160	38	0601065070066.20
80	81	85	180	45.5	0601080085081.20
100	100	104	200	55	0601100104100.20

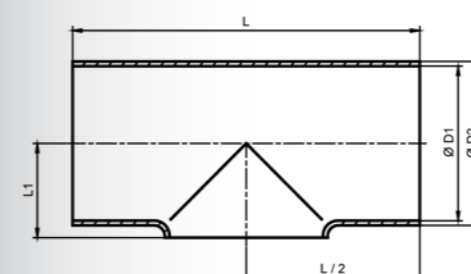
T KOMAD - KRATKI S/S/S



0602

SMS	D ₁	D ₂	L	L ₁	Art.No.
25	22.5	25	100	14	0602025025022.20
38	35	38	120	21	0602038038035.20
51	48	51	140	29	0602051051048.20
63.5	60.5	63.5	160	35	0602063063060.20
76.1	72	76	180	41	0602076076072.20
101.6	97.6	101.6	200	54	0602101101097.20
114.3					
139.7					

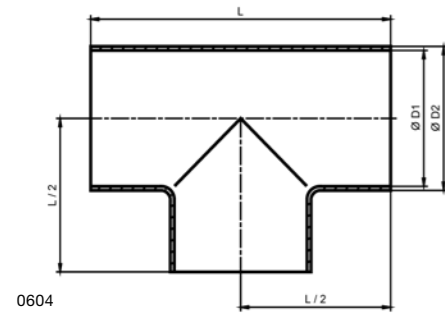
T KOMAD - KRATKI S/S/S



0603

ISO	D ₁	D ₂	R	L ₁	Art.No.
DN 15 1/2"	19.3	21.3			0603015021019.20
DN 20 3/4"	24.9	26.9			0603020026024.20
DN 25 1"	31.7	33.7			0603025033031.20
DN 32 5/4"	40.4	42.4			0603032042040.20
DN 40 6/4"	46.3	48.3			0603040048046.20
DN 50 2"	58.3	60.3			0603050060058.20
DN 65 2 1/2"	74.1	76.1			0603065076074.20
DN 80 3"	86.9	88.9			0603080088086.20
DN 100 4"	112.3	114.3			0603100114112.20
DN 125 5"	137.7	139.7			0603125139137.20
DN 150 6"	166.3	168.3			0603150168166.20

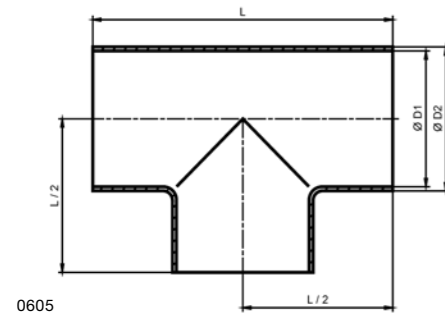
T KOMAD - DUGI S / S / S



0604

DN	D ₁	D ₂	L	Art.No.
25	25	28	100	0604025028025.20
32	31	34	110	0604032034031.20
40	37	40	120	0604040040037.20
50	49	52	140	0604050052049.20
65	66	70	160	0604065070066.20
80	81	85	180	0604080085081.20
100	100	104	200	0604100104100.20

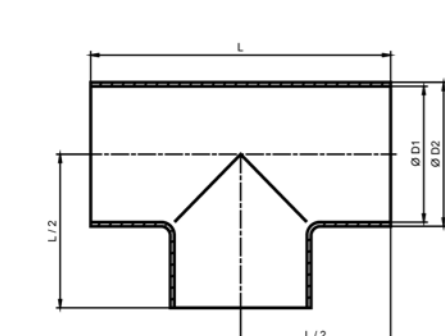
T KOMAD - DUGI S / S / S



0605

SMS	D ₁	D ₂	L	Art.No.
25	22.5	25	100	0605025025022.20
38	35	38	120	0605038038035.20
51	48	51	140	0605051051048.20
63.5	60.5	63.5	160	0605063063060.20
76.1	72	76	180	0605076076072.20
101.6	97.6	101.6	200	0605101101097.20
114.3				
139.7				

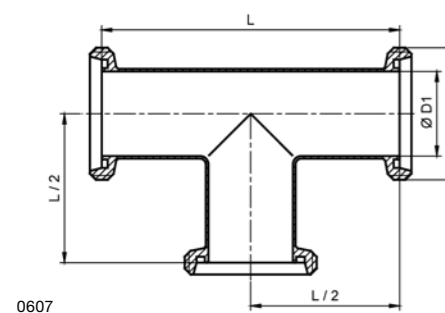
T KOMAD - DUGI S / S / S



0606

ISO	D ₁	D ₂	R	L1	Art.No.
DN 15 1/2"	19.3	21.3			0606015021019.20
DN 20 3/4"	24.9	26.9			0606020026024.20
DN 25 1"	31.7	33.7			0606025033031.20
DN 32 5/4"	40.4	42.4			0606032042040.20
DN 40 6/4"	46.3	48.3			0606040048046.20
DN 50 2"	58.3	60.3			0606050060058.20
DN 65 2 1/2"	74.1	76.1			0606065076074.20
DN 80 3"	86.9	88.9			0606080088086.20
DN 100 4"	112.3	114.3			0606100114112.20
DN 125 5"	137.7	139.7			0606125139137.20
DN 150 6"	166.3	168.3			0606150168166.20

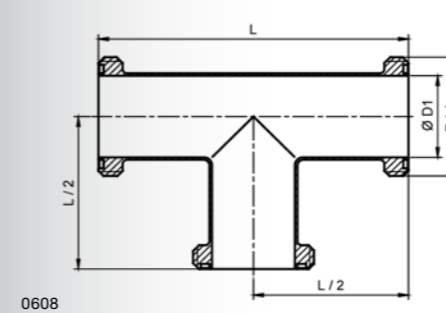
T KOMAD - DUGI G / G / G



0607

DN	D ₁	A	L	Art.No.
25	25	52x1/6"	144	0607025052025.20
32	31	58x1/6"	154	0607032058031.20
40	37	65x1/6"	164	0607040065037.20
50	49	78x1/6"	186	0607050078049.20
65	66	95x1/6"	210	0607065095066.20
80	81	110x1/4"	230	0607080110081.20
100	100	130x1/4"	260	0607100130100.20

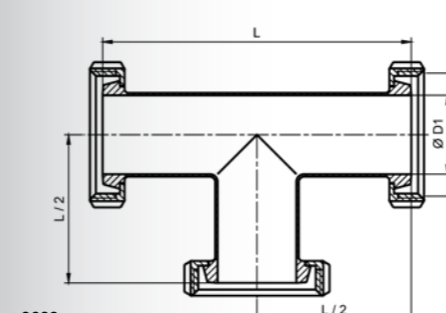
T KOMAD - DUGI G / G / G



0608

SMS	D ₁	A	L	Art.No.
25	22.5	40x1/6"	137	0608025040022.20
38	35	60x1/6"	162	0608038060035.20
51	48	70x1/6"	186	0608051070048.20
63.5	60.5	85x1/6"	212	0608063085060.20
76.1	72	98x1/6"	226	0608076098072.20
101.6	97.6	132x1/6"	246	0608101132097.20
114.3				
139.7				

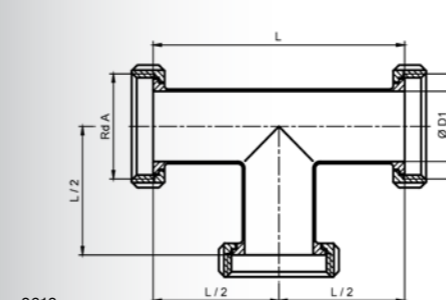
T KOMAD - DUGI KM / KM / KM



0609

DN	D ₁	A	L	Art.No.
25	25	52x1/6"	130	0609025052025.20
32	31	58x1/6"	140	0609032058031.20
40	37	65x1/6"	150	0609040065037.20
50	49	78x1/6"	172	0609050078049.20
65	66	95x1/6"	194	0609065095066.20
80	81	110x1/4"	214	0609080110081.20
100	100	130x1/4"	240	0609100130100.20

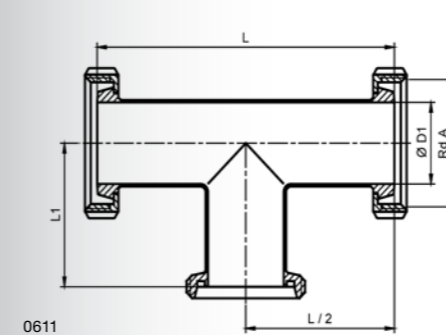
T KOMAD - DUGI KM / KM / KM



0610

SMS	D ₁	A	L	Art.No.
25	22.5	40x1/6"	140	0610025040022.20
38	35	60x1/6"	166	0610038060035.20
51	48	70x1/6"	186	0610051070048.20
63.5	60.5	85x1/6"	212	0610063085060.20
76.1	72	98x1/6"	220	0610076098072.20
101.6	97.6	132x1/6"	264	0610101132097.20
114.3				
139.7				

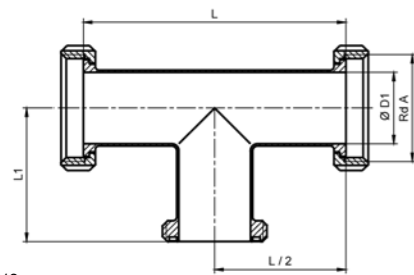
T KOMAD - DUGI KM / G / KM



0611

DN	D ₁	A	L	L1	Art.No.
25	25	52x1/6"	130	72	0611025052025.20
32	31	58x1/6"	140	77	0611032058031.20
40	37	65x1/6"	150	82	0611040065037.20
50	49	78x1/6"	172	93	0611050078049.20
65	66	95x1/6"	194	105	0611065095066.20
80	81	110x1/4"	214	115	0611080110081.20
100	100	130x1/4"	240	130	0611100130100.20

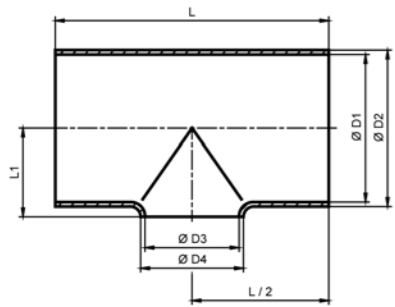
T KOMAD - DUGI KM / G / KM



0612

SMS	D ₁	A	L	L1	Art.No.
25	22.5	40x1/6"	140	68.5	0612025040022.20
38	35	60x1/6"	166	81	0612038060035.20
51	48	70x1/6"	186	93	0612051070048.20
63.5	60.5	85x1/6"	212	106	0612063085060.20
76.1	72	98x1/6"	220	113	0612076098072.20
101.6	97.6	132x1/6"	264	123	0612101132097.20
114.3					
139.7					

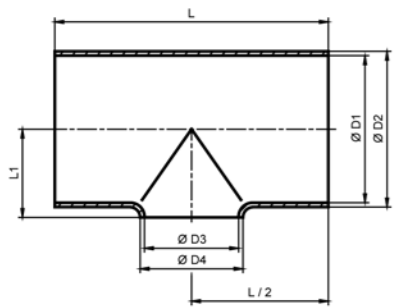
T KOMAD - REDUCIR S / S / S



0613

DN	D ₂	D ₄	L	L1	Art.No.
25 / 20	28	22	100	15	0613025020028.20
32 / 25	34	28	110	18	0613032025034.20
40 / 25	40	28	120	22	0613040025040.20
40 / 32	40	34	120	22	0613040032040.20
50 / 25	52	28	140	29	0613050025052.20
50 / 32	52	34	140	29	0613050032052.20
50 / 40	52	40	140	29	0613050040052.20
65 / 25	70	28	160	38	0613065025070.20
65 / 32	70	34	160	38	0613065032070.20
65 / 40	70	40	160	38	0613065040070.20
65 / 50	70	52	160	38	0613065050070.20
80 / 25	85	28	180	46	0613080025085.20
80 / 32	85	34	180	46	0613080032085.20
80 / 40	85	40	180	46	0613080040085.20
80 / 50	85	52	180	46	0613080050085.20
80 / 65	85	70	180	46	0613080065085.20
100 / 50	104	52	200	55	0613100050104.20
100 / 65	104	70	200	55	0613100065104.20
100 / 80	104	85	200	55	0613100080104.20

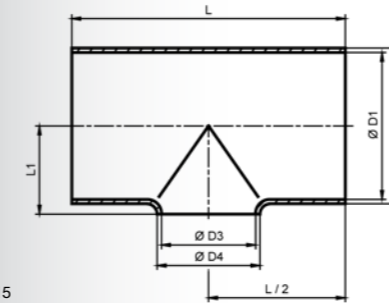
T KOMAD - REDUCIR S / S / S



0614

SMS	D ₂	D ₄	L	L1	Art.No.
38 / 25	38	25	120	21	0614038025038.20
51 / 25	51	25	140	29	0614051025051.20
51 / 38	51	38	140	29	0614051038051.20
63.5 / 25	63.5	25	160	35	0614063025063.20
63.5 / 38	63.5	38	160	35	0614063038063.20
63.5 / 51	63.5	51	160	35	0614063051063.20
76.1 / 25	76	25	180	41	0614076025076.20
76.1 / 38	76	38	180	41	0614076038076.20
76.1 / 51	76	51	180	41	0614076051076.20
76.1 / 63.5	76	63.5	180	41	0614076063076.20
101.6 / 51	101.6	51	200	54	0614101051101.20
101.6 / 63.5	101.6	63.5	200	54	0614101063101.20
101.6 / 76.1	101.6	76	200	54	0614101076101.20

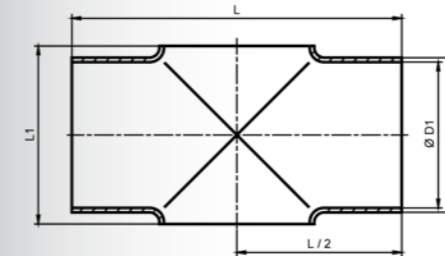
T KOMAD - REDUCIR S / S / S



0615

ISO	D ₄	D ₂	L	Art.No.
DN 15/20 1/2" / 3/4"	21.3	26.9	24	0615015020026.20
DN 20/25 3/4" / 1"	26.9	33.7	24	0615020025033.20
DN 25/32 1" / 5/4"	33.7	42.4	30	0615025032042.20
DN 32/40 5/4" / 6/4"	42.4	48.3	34	0615032040048.20
DN 40/50 6/4" / 2"	48.3	60.3	34	0615040050060.20
DN 50/65 2" / 2 1/2"	60.3	76.1	40	0615050065076.20
DN 65/80 2 1/2" / 3"	76.1	88.9	40	0615065080088.20

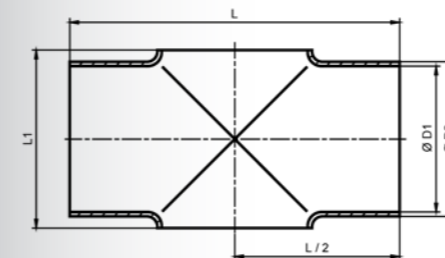
KRSTASTI T KOMAD - KRATKI



0616

DN	D ₁	D ₂	L	L ₁	Art.No.
25	25	28	100	30	0616025028025.20
32	31	34	110	36	0616032034031.20
40	37	40	120	44	0616040040037.20
50	49	52	140	58	0616050052049.20
65	66	70	160	76	0616065070066.20
80	81	85	180	91	0616080085081.20
100	100	104	200	110	0616100104100.20

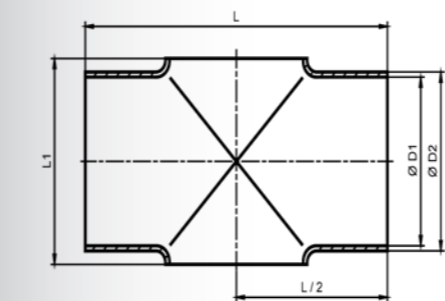
KRSTASTI T KOMAD - KRATKI



0617

SMS	D ₁	D ₂	L	L ₁	Art.No.
25	22.5	25	100	28	0617025025022.20
38	35	38	120	42	0617038038035.20
51	48	51	140	58	0617051051048.20
63.5	60.5	63.5	160	70	0617063063060.20
76.1	72	76	180	82	0617076076072.20
101.6	97.6	101.6	200	108	0617101101097.20
114.3					
139.7					

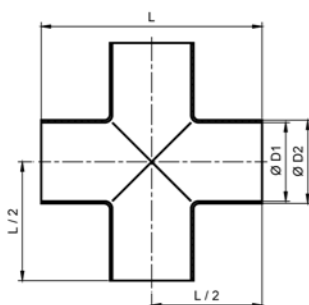
KRSTASTI T KOMAD - KRATKI



0618

ISO	D ₁	D ₂	R	L ₁	Art.No.
DN 15 1/2"	19.3	21.3			0618015021019.20
DN 20 3/4"	24.9	26.9			0618020026024.20
DN 25 1"	31.7	33.7			0618025033031.20
DN 32 5/4"	40.4	42.4			0618032042040.20
DN 40 6/4"	46.3	48.3			0618040048046.20
DN 50 2"	58.3	60.3			0618050060058.20
DN 65 2 1/2"	74.1	76.1			0618065076074.20
DN 80 3"	86.9	88.9			0618080088086.20
DN 100 4"	112.3	114.3			0618100114112.20
DN 125 5"	137.7	139.7			0618125139137.20
DN 150 6"	166.3	168.3			0618150168166.20

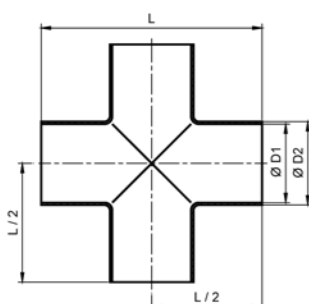
KRSTASTI T KOMAD - DUGI



0619

DN	D ₁	D ₂	L	Art.No.
25	25	28	100	0619025028025.20
32	31	34	110	0619032034031.20
40	37	40	120	0619040040037.20
50	49	52	140	0619050052049.20
65	66	70	160	0619065070066.20
80	81	85	180	0619080085081.20
100	100	104	200	0619100104100.20

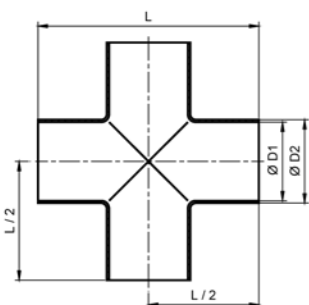
KRSTASTI T KOMAD - DUGI



0620

SMS	D ₁	D ₂	L	Art.No.
25	22.5	25	100	0620025025022.20
38	35	38	120	0620038038035.20
51	48	51	140	0620051051048.20
63.5	60.5	63.5	160	0620063063060.20
76.1	72	76	180	0620076076072.20
101.6	97.6	101.6	200	0620101101097.20
114.3				
139.7				

KRSTASTI T KOMAD - DUGI



0621

ISO	D ₁	D ₂	R	L ₁	Art.No.
DN 15 1/2"	19.3	21.3			0621015021019.20
DN 20 3/4"	24.9	26.9			0621020026024.20
DN 25 1"	31.7	33.7			0621025033031.20
DN 32 5/4"	40.4	42.4			0621032042040.20
DN 40 6/4"	46.3	48.3			0621040048046.20
DN 50 2"	58.3	60.3			0621050060058.20
DN 65 2 1/2"	74.1	76.1			0621065076074.20
DN 80 3"	86.9	88.9			0621080088086.20
DN 100 4"	112.3	114.3			0621100114112.20
DN 125 5"	137.7	139.7			0621125139137.20
DN 150 6"	166.3	168.3			0621150168166.20

OZNAČAVANJE NERĐAJUĆIH ČELIKA PREMA STANDARDIMA

AISI / W.Nr.	Mehaničke osobine na 20 °C				Čvrstoća na povišenim temperaturama				Istezanje na temp. 20-100° C [10-6 ° C]	Provođljivost toplote na 20° C [W/m · ° C]
	R _{p0.2} [N/mm ²]	R _{p1.0} [N/mm ²]	R _m [N/mm ²]	A5 [%]	100° C [N/mm ²]	200° C [N/mm ²]	400° C [N/mm ²]	600° C [N/mm ²]		
304 / 1.4301	210	240	500-700	40	163	137	114	74	17	15
321 / 1.4541	210	240	510-710	35	173	150	129	83	17	15
304L / 1.4306	190	220	480-680	40	148	124	103	59	17	15
316 / 1.4401	220	250	510-710	40	175	148	124	107	16.5	13.5
316L / 1.4404	210	240	490-690	40	164	137	114	94	16.5	13.5
316Ti / 1.4571	220	250	510-710	35	180	159	136		16.5	13.5
316 / 1.4436	220	250	510-710	40	175	148	124	107	16.5	13.5
316L / 1.4435	210	240	490-690	40	164	137	114	94	16.5	13.5

UPOREDNA TABELA KVALITETA

TIPIČAN HEMIJSKI SASTAV

Nerđajući i hemijski postojani čelici	DIN	W.Nr	AISI	Avesta	JUS	Ž.Ravni	C	Cr	Ni	Mo	Ostali
	X6 Cr13	1.4000	410 S	410 S	410 S	Č4170	PK 1	≤ 0.08	12.0-14.0	-	-
X6 Cr17	1.4016	430	430	430	Č4174	-	≤ 0.08	15.5-17.5	-	-	-
X20 Cr13	1.4021	420	420 L	420 L	Č4172	PK 3	0.17-0.25	12.0-14.0	-	-	-
X15 Cr13	1.4024	-	-	-	Č4171	PK 2	0.12-0.17	12.0-14.0	-	-	-
X30 Cr13	1.4028	420	420 M	420 M	Č4173	-	0.28-0.35	12.0-14.0	-	-	-
X20 CrNi 17-2	1.4057	431	-	-	Č4570	PK 2 SP	0.14-0.23	15.5-17.5	-	-	-
X5 CrNi 18-10	1.4301	304	18-8	18-8	Č4580	PK 11 EX	≤ 0.07	17.0-19.0	8.5-10.5	-	-
X2 CrNi 19-11	1.4306	304 L	19-11 L	19-11 L	Č45701	-	≤ 0.03	18.0-20.0	10.0-12.5	-	-
X12 CrNi 17-7	1.4310	301	17-7	17-7	-	-	≤ 0.12	16.0-18.0	6.0-9.0	≤ 0.08	-
X2 CrNiN 18-10	1.4311	304 LN	18-8 LN	18-8 LN	Č45707	-	≤ 0.03	17.0-19.0	8.5-11.05	-	N 0.12-0.22
X5 CrNiMo 17-12-2	1.4401	316	17-11-2	17-11-2	Č4573	PK12	≤ 0.07	16.5-18.5	10.5-13.5	2.0-2.5	-
X2 CrNiMo 17-13-2	1.4404	316 L	17-11-2 L	17-11-2 L	Č45703	-	≤ 0.03	16.5-18.5	11.0-14.0	2.0-2.5	-
X2 CrNiMoN 17-12-2	1.4406	316 LN	17-11-2 LN	17-11-2 LN	Č45708	-	≤ 0.03	16.5-18.5	10.5-16.5	2.0-2.5	-
X2 CrNiMo 18-14-3	1.4435	316 L	17-14-2.5 L	17-14-2.5 L	Č45704	-	≤ 0.3	17.0-18.5	12.5-15.0	2.5-3.0	-
X5 CrNiMo 17-13-3	1.4436	316	17-12-2.5	17-12-2.5	Č45706	-	≤ 0.07	16.5-18.5	11.0-14.0	2.5-3.0	-
X2 CrNiMoN 22-5-3	1.4462	-	2205	2205	-	-	≤ 0.03	21.0-23.0	4.5-6.5	2.5-3.0	N 0.08-0.2
X6 CrNiTi 18-10	1.4541	321	18-10 Ti	18-10 Ti	Č4572	PK 11 SP	≤ 0.08	17.0-19.0	9.0-12.0	-	Ti ≥ (5x %C) ≤ 0.8
X6 CrNiNb 18-10	1.4550	347	-	-	Č4582	PK 11 NB	≤ 0.08	17.0-19.0	9.0-12.0	-	Nb ≥ (10x %C) ≤ 1.0
X6 CrNiMoTi 17-12-2	1.4571	316 Ti	17-11-2 Ti	17-11-2 Ti	Č4574	PK 12 SP	≤ 0.08	16.5-18.5	10.5-13.5	2.0-2.5	Ti ≥ (5x %C) ≤ 0.8
X6 CrNiMoNb 17-12-2	1.4580	316 Cb	-	-	Č4583	PK 12 NB	≤ 0.08	16.5-18.5	10.5-13.5	2.0-2.5	Nb ≥ (10x %C) ≤ 1.0

BeoINOX d.o.o.

Sutjeska ul. 1 br. 19c

11210 BEOGRAD - Krnjača, Srbija

tel./fax: +381.11.3317789, +381.11.3317742, +381.11.3317746

office@beinox.co.rs, prodaja@beinox.co.rs, www.beinox.co.rs